

## FDB-32RN

### Compact 32 Cores Fiber Distribution Box

#### Application

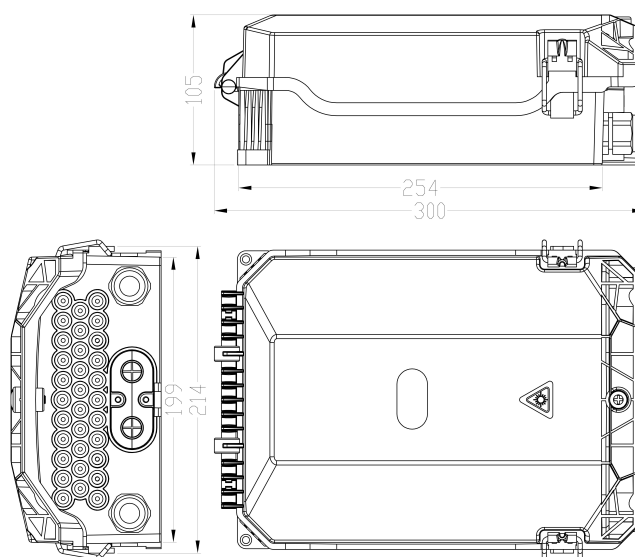
- Designed for FTTH distribution points in PON networks requiring high-density 32-port SC/APC configuration with integrated 1×16 PLC splitters.
- Ideal for outdoor fiber deployment where compact 1×32 splitting (2×1×16) is needed in a single enclosure with IP65 protection.



## Features & Benefits

- Internal layout accommodates 32 SC/APC adapters and 2 splice trays in a relatively small housing.
- Each splice tray supports up to 24F splicing and integrates one 1×16 Micro PLC Splitter.
- 32 drop cable ports (Ø2-3mm or 2\*3mm flat cable) for individual subscribers.
- IP65 rated with EPDM and rubber sealing, suitable for both indoor and outdoor deployments.
- Available in wall-mounted or pole-mounted configurations for flexible installation.

## Dimension Drawing



## Specifications

Part No.	FDB-32RN
Dimensions	300×214×105 mm
Housing Material	PC+ABS
Mid-span Ports	2 × Ø14mm for un-cut cable
Branches	2 × Ø14mm (2×PG13.5)
Drop Cable Ports	32 × Ø2-3mm or 2*3mm flat cable
Patching Capacity	32 SC Adapters
Splicing Capacity	48 Fibers (Single-core)
No. of Splice Tray	2 Trays
Splices per Tray	24F / Tray
Splitter per Tray	1×8 or 1×16 Micro PLC Splitters / Tray
IP Rating	IP65
Mounting	Wall / Pole Mount

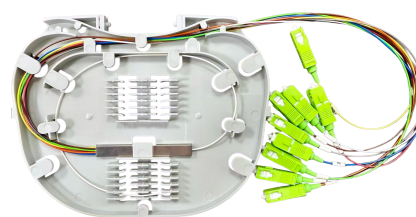
## Splice Trays & PLC Splitter Module



12 Slots for 12/24 Fusion splices

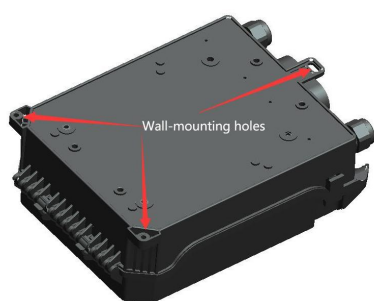


One 1×16 Micro PLC Splitter

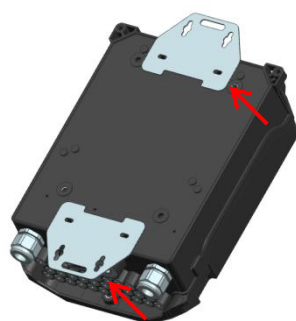


Two 1×8 Micro PLC Splitters

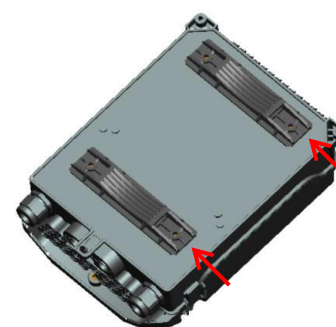
## Mounting Options



Wall Mount without Plate



Metal Plate for Wall or Pole Mount



Cross-arm for Pole Mount

## Accessories

Picture	Name	Size	Qty
	Pole Mount Kit	Clamp: Ø216mm	2 Pairs
	Wall Mount Kit	/	3/4 Pairs
	Metal Plate (Optional for wall or pole mount)	/	2 PCS
	Metal Clamp	Ø10-16mm	10 PCS
	Cable tie	3*100mm	10 PCS
	Splice sleeve	Ø1.2*45mm	2 - 48 PCS
	Buffer Tube	L=300mm	2 PCS

## Packing List

Part No.	Carton Size	PCS/CTN	G.W.
FDB-32RN-WM	46×34×58CM	10	17 KG